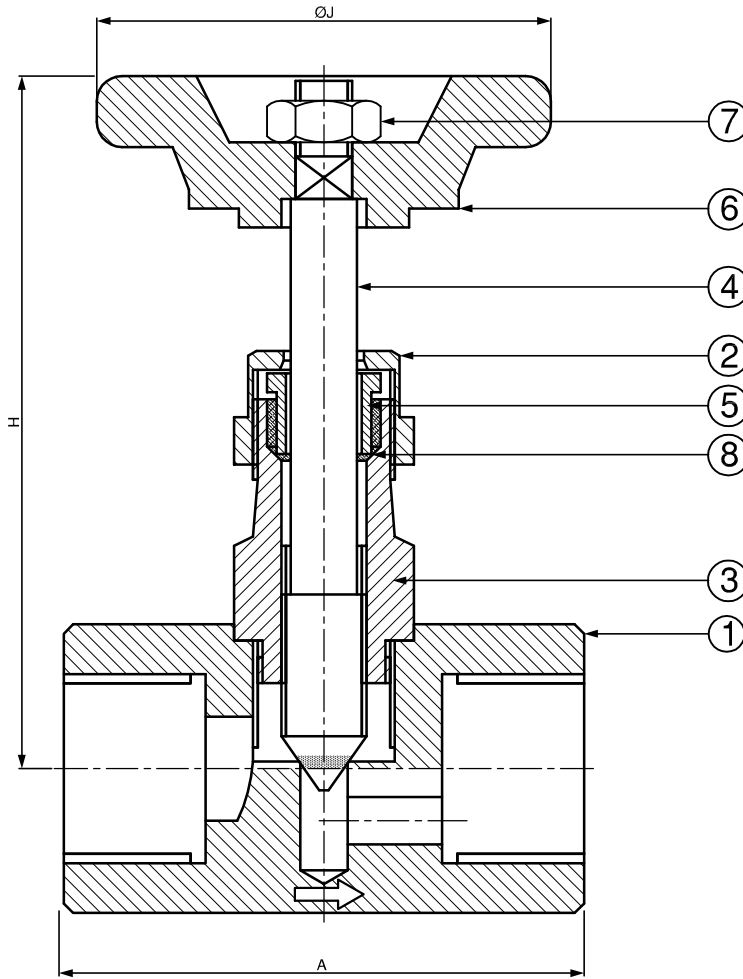


# Needle Valve



## REFERENCE

- Testing Standard : API 598
- Design : Bar Stock Design



SECTIONAL DRAWING

2"	115	140	102
1-1/2"	102	140	102
1"	70	75	65
3/4"	65	75	65
1/2"	57	75	50
3/8"	50	75	50
1/4"	50	75	50
SIZE	A	H	ØJ

- Size : 1/4" to 2"
- End Connection : Thread End (BSPP / NPT)
- Max. Working Pr. : Up to 70Barg
- Temperature : -20°C to 300°C
- Seat : Metal
- Application : Gas / Air

SR.NO.	DESCRIPTION	MATERIAL	QTY.
9	HAND WHEEL NUT	M.S.	1
8	HAND WHEEL	BACKELITE	1
7	GLAND PACKING	P.T.F.E.	1
6	BODY GASKET	P.T.E.F.	1
5	STEM	AISI SS 304 / 316	1
4	GLAND NUT	AISI SS 304 / 316	-
3	GLAND	AISI SS 304 / 316 / 202	1
2	BONNET	AISI SS 304 / 316 / 202	1
1	BODY	AISI SS 304 / 316 / 202	1

SURFACE FINISH	
SYMBOL	MICRONS
▽	8.25
▽▽	1.6-8.25
▽▽▽	0.025-1.6
▽▽▽▽	0.025

<b>HARSHAD ENGINEERING WORKS.</b> S-121/124, Vivekanand Estate, Rakhtal, Ahmedabad		MODEL:	DATE: 15.09.2013
		ASSEMBLY DRAWING OF NEEDLE VALVE	
SIZE:-	Qty:-	Mat: --	CHD: Divyesh
DRG. NO / PART NO. :		APPD. H.B.Panchal	
---		REV 00	SCALE: N T S A4

\* While inquiry please specify :  
 : Pressure  
 : Application  
 : Temperature

OVER	-	6	30	120	315
UP TO	6	30	120	315	1000
TOL	±0.1	±0.2	±0.3	±0.5	±0.8